

HD2MI-111CS

User manual



Safety notes:

- 1). In order to avoid fire, electricity shock or product damage, please keep the product away from rain, damp, any other liquid, and pressure.
- 2). Keep ventilation. Don't put the product in any enclosed cabinet during it is working, otherwise product damage or fire may be caused by high temperature.
- 3). Don't touch the power adapter with wet hands.
- 4). Please keep the user manual for future reference.

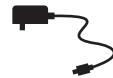
1. Box Content



SDI to HDMI Converter



User manual



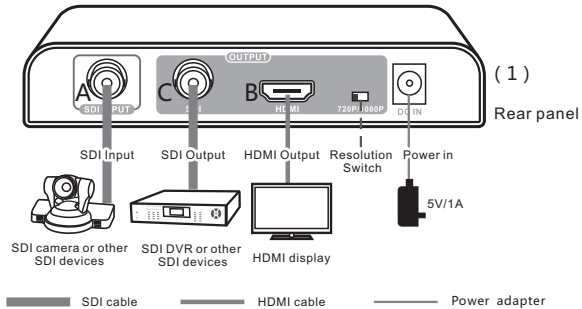
DC 5V 1A power adapter

2. Installation equipment

- 1) HDTV or HDMI LCD.
- 2) SDI source, such as SDI camera, with SDI format SD-SDI, HD-SDI or 3G-SDI

3. Installation steps

- 1). Connect the SDI camera to the converter box with SDI cable
- 2). Connect the converter to the display with HDMI cable
- 3). Connect power adapter of all devices, and switch the display to the right channel. As per user's need, the SDI output can be connected with SDI DVR, etc.



4. Operation

- 1). SDI input:
adjust the SDI input resolution as per the parameters of the converter box, and the SDI resolution the converter box supports is: 480i@60HZ; 576i@50HZ; 720P@50HZ/60HZ; 1080i@50HZ/60HZ; 1080P@24/25/30/50/60HZ.



When the converter box is compatible with the input SDI resolution, the green LED lights, otherwise, the red LED will light.

- 2). HDMI output
Switch the display to the right channel. Please switch the output resolution between 720P and 1080P as per the display features.

NOTE: this product is with scaler function, and will upscale the SDI resolution to HDMI and the output resolution is fixed at 720P or 1080P.

- 3). SDI output :
There is one more SDI output pass through, and users can connect to SDI display or SDI DVR as per their need

5. FAQ

Q1: No HDMI output

- A1: 1) Check if the LED lights, if not, please check power adapter.
2) If the red LED lights, check if the input SDI resolution is compatible with the converter box.
3) If the above two is checked to be OK, check if the display is switched to the right channel, and adjust the resolution of the display as per its features.

Q2: There is a short blink or other abnormal after the converter box starts.

A2: It is normal for HDMI signal communication. Please feel easy to use it.

NOTE: When the converter box detects no input source, color banners will display, and please check if the input source is with any problem.

6. Parameters

Power adapter	DC 12V/1A, applicable for voltage from 5V~36V
SDI Input resolution	480i@60Hz/576i@50Hz/720P@50Hz/ 720P@60Hz/1080i@50Hz/1080i@60Hz/ 1080P@24@25@30@50@60Hz
SDI output resolution	480i@60Hz/576i@50Hz/720P@50Hz/ 720P@60Hz/1080i@50Hz/1080i@60Hz/ 1080P@24@25@30@50@60Hz
HDIM output resolution	720P@60Hz/1080P@60Hz
SDI format	SD-SDI/HD-SDI/3G-SDI
Dimension	130*77*24 mm
Working temperature	0~60°C

Disclaimer

The product name and brand name may be registered trademark of related manufacturers. TM and ® may be omitted on the user manual. The pictures on the user manual are just for reference, and there may be some slight difference with the real products.

We reserve the rights to make changes without further notice to a product or system described herein to improve reliability, function or design.