

# DPA-DB1

## Product Information

---

---

Monitor Desktop Bracket

---

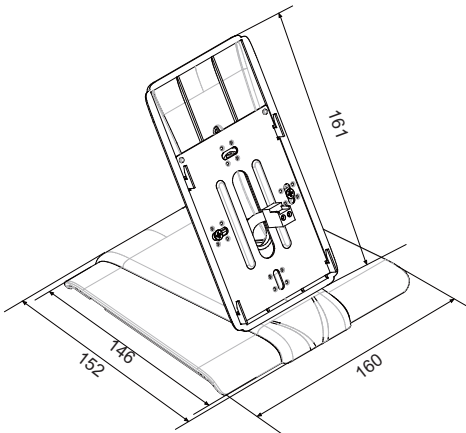


---

### DESCRIPTION

Desktop bracket

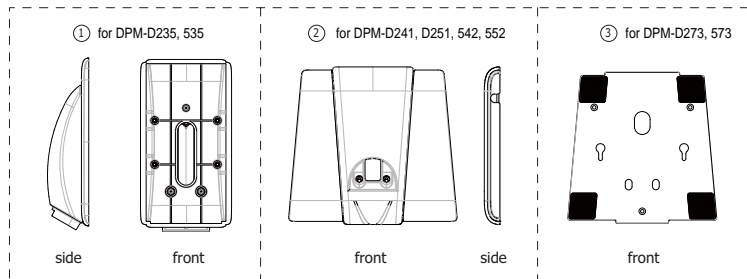
### DIMENSION



### FEATURES

- ▶ Allows desk mounting for monitor;
  - ▶ Monitor is propped up for easier viewing
-

## 1. Parts and Functions



The Monitor Desk Stand consists of 3 parts which are listed above :

1. Plastic bracket: it is used to support the monitor
2. Plastic base: it is used to hold the plastic bracket
3. Metal base: it adheres to the bottom of Plastic base and works to stabilize the whole Desk Stand

## 2. Unit Mounting

Step 1

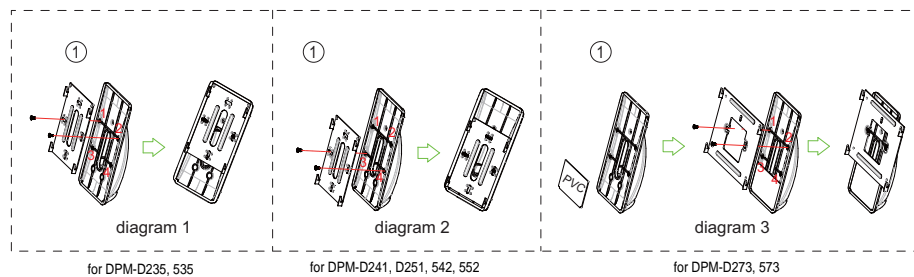
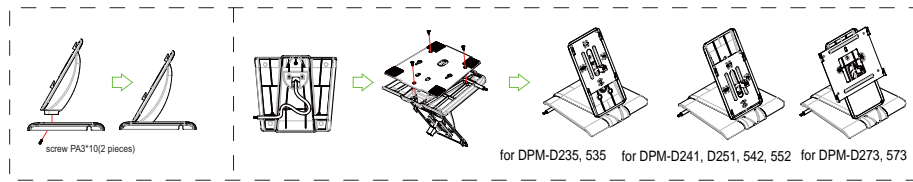


Diagram1: Use 2 pieces of KM3\*6 screws to fix the the mounting bracket to the hole1&hole2 which are on the top of the plastic bracket.

Diagram2: Use 2 pieces of KM3\*6 screws to fix the the mounting bracket to the hole3&hole4 which are on the below of the plastic bracket.

Diagram3: First, put the PVC plate to the plastic bracket, then use 2 pieces of KM3\*6 screws to fix the the mounting bracket to the hole1&hole2 which are on the top of the plastic bracket.



Step2:use self-tapping screw PA3\*10 to fix the plastic bracket.

Step3:put the connection cable correctly(refer to the diagram of the above), then use self-tapping screw KA3\*8 to fix the metal base.

### 3. Ordering Information

Model No.	Brief Description	Remark
DPA-DB1-B	Desktop bracket in black color	For desktop mounting
DPA-DB1-W	Desktop bracket in white color	For desktop mounting