

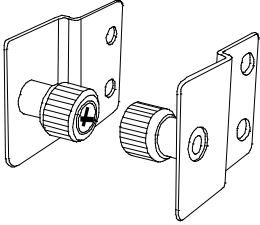


Note

1. Please check all peripherals according to the list before installation. To make sure that the whole unit was not damaged and lost during shipping process. If you encounter any problem, please contact your dealer.
2. Before installation, make sure all peripherals and console have been turned off.

Packet Contents

1. DKVM-1700 Module x 1
2. Bracket A with thumb screw x 2



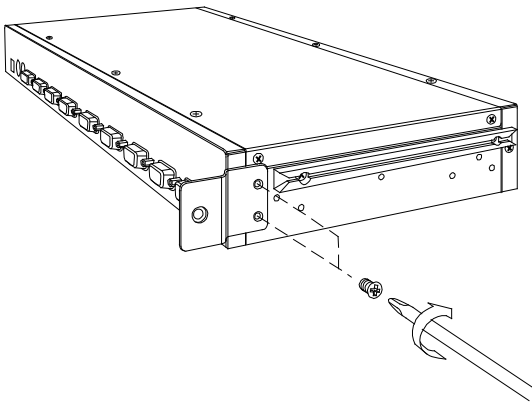
3. Screw (length = 6 mm) x 4



- 1 -

Hardware Installation

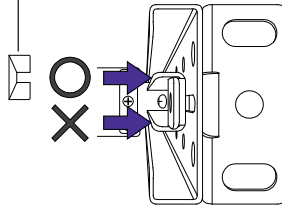
1. Install two screws (length = 6 mm) to combine bracket A and KVM module. (Both sides)



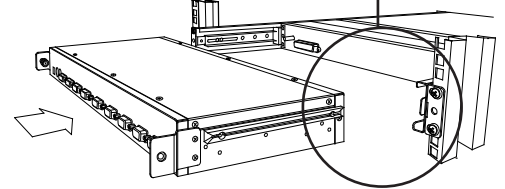
- 2 -

2. Push KVM module into the rails from rear of DKVM-1700 cabinet.

plastic rail of KVM switch

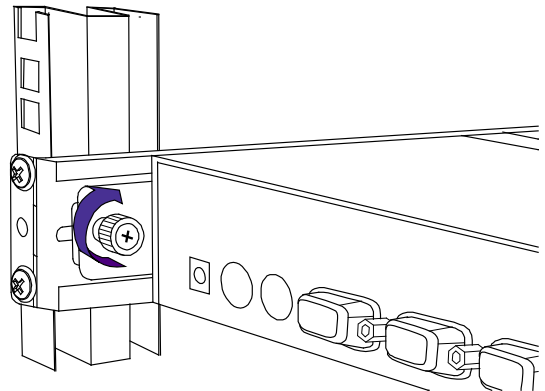


rear view of rail



- 3 -

3. Tight thumb screw of bracket A up to fix KVM module in console and finish installation. (Both sides)



4. Connect power adapter to the "DC 12V" power connector. You can find the power adapter in DKVM-1700 packet.

Further information

For more details, please refer to the user's manual of DKVM-1700 CD disk.

- 4 -

DKVM-CF8/16 | **KVM Module for DKVM-1700**
DKVM-PS8/16

www.planet.com.tw

Quick Installation Guide

