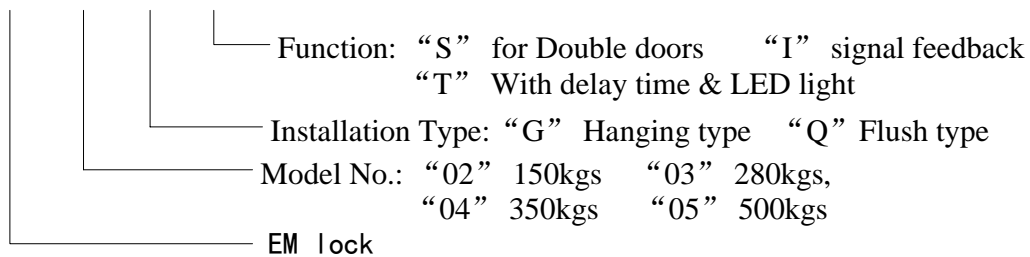


Introduction:

Electromagnetic locks(EM Lock)are widely used in important buildings,become vital parts in the high technology access control system.Compared with traditional locks,this series locks have high holding force,low power consumption,stable quality,monitor signal feedback,noiseless, anti-theft and meet the fire safety requirement.

The explanation for EM lock Model No:

D Z ■ ■ ■



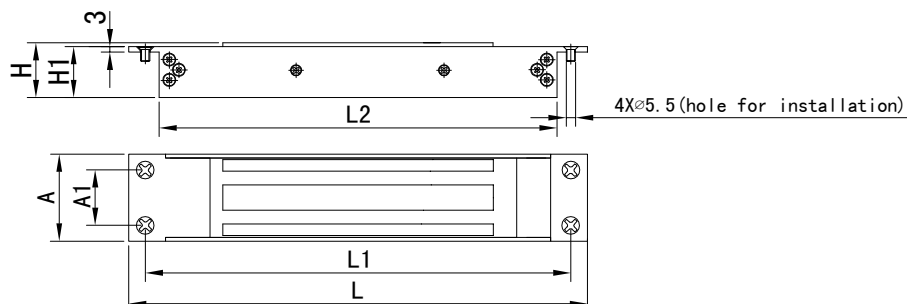
Technical parameters

Model No.	DZ02G DZ02Q	DZ02GS DZ02QS	DZ03G DZ03Q	DZ03GS DZ03QS	DZ03GIT DZ03QIT	DZ03GI DZ03QI	DZ04G DZ04Q	DZ04GS DZ04G1	DZ04GI DZ04Q1	DZ05G DZ05Q	DZ05GS DZ05QS	DZ05GIT DZ05QIT	DZ05GI DZ05QI
Voltage	DC12V	DC12V	DC12V	DC12V	DC12V	DC12V	DC12V	DC12V	DC12V	DC12V	DC12V	DC12V	DC12V
Current	300mA	600mA	300mA	600mA	300mA	300mA	300mA	600mA	300mA	300mA	600mA	300mA	300mA
Power	3.6W	7.2W	3.6W	7.2W	3.6W	3.6W	3.6W	7.2W	3.6W	3.6W	7.2W	3.6W	3.6W
Holding Force	150kg	150kg×2	280kg	280kg×2	280kg	280kg	350kg	350kg×2	350kg	500kg	500kg×2	500kg	500kg
Signal Feedback	NO	NO	NO	NO	YES	YES	NO	NO	YES	NO	NO	YES	YES
Delay Time	NO	NO	NO	NO	YES	NO	NO	NO	NO	NO	NO	YES	NO

- Temperature range:-40℃ to +70℃
- The installation seize and electric data(except voltage) of double doors EM lock is twice of single door EM lock
- The voltage is normal in range of $\pm 10\%$

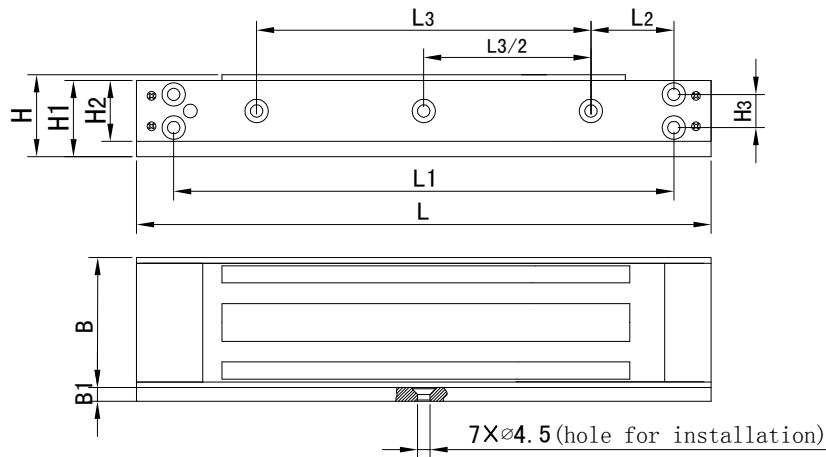
Installation & Specification

- Flush Type EM Lock:



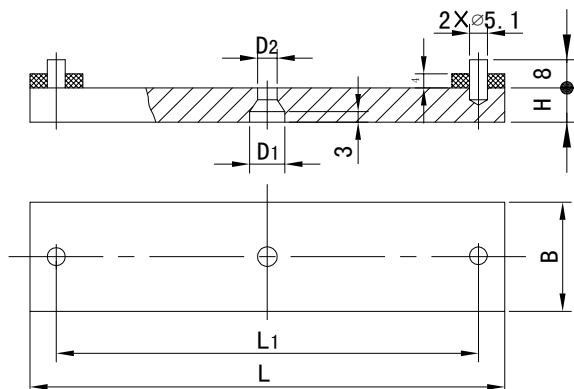
Model No.	DZ02Q	DZ02QS	DZ03Q	DZ03QI	DZ03QS	DZ03QIT	DZ04Q	DZ04QI	DZ05Q	DZ05QI	DZ05QIT
L	200.8	366.6	248	248	456	281	278	278	281	281	314
L1	183.8	349.6	230	230	438	263	260	260	260	260	293
L2	165.8	331.6	208	208	416	241	238	238	231	231	264
A	35	35	47	47	47	47	47	47	65	65	65
A1	19	19	30	30	30	30	30	30	30	30	30
H	22.5	22.5	26	26	26	26	26	26	36.8	36.8	36.8
H1	21	21	24	24	24	24	24	24	35	35	35

● Hanging Type EM Lock



Model No.	DZ02G	DZ02GS	DZ03G	DZ03GI	DZ03GS	DZ03GIT	DZ04G	DZ04GI	DZ04GS	DZ05G	DZ05GI	DZ05GS	DZ05GIT
L	165.8	331.6	208	208	416	241	238	238	476	231	231	462	264
L1	135.8	135.8	181	181	181	214	211	211	211	204	204	204	237
L2	20	20	30	30	30	46.5	30	30	30	25	25	25	41.5
L3	95.8	95.8	121	121	121	121	151	151	151	154	154	154	154
B	35	35	47	47	47	47	47	47	47	65	65	65	65
B1	5	5	5	5	5	5	5	5	5	5	5	5	5
H	22.5	22.5	26	26	26	26	26	26	26	36.8	36.8	36.8	36.8
H1	21	21	24	24	24	24	24	24	24	35.5	35.5	35.5	35.5
H2	20	20	22	22	22	22	22	22	22	32.5	32.5	32.5	32.5
H3	NO	NO	12	12	12	12	12	12	12	19	19	19	19

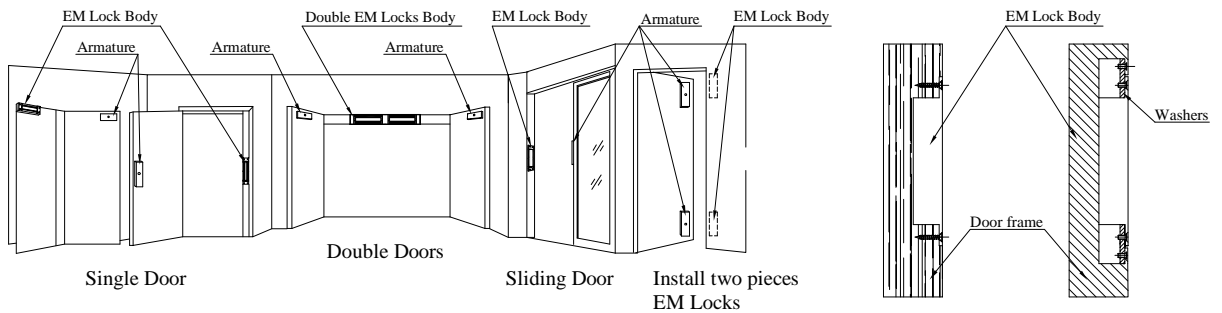
● Armature Size(Flush type and Hanging type is same)



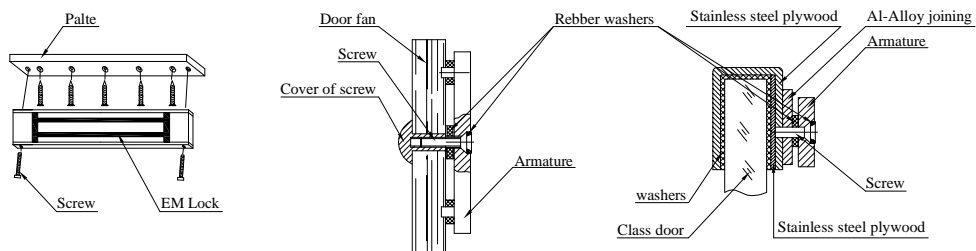
Model No.	Holding Force	Armature and installation size					
		L	L1	B	H	D1	D2
DZ02	150kg	135	120	31	11	∅10	∅5.5
DZ03	280kg	158	140	45	13	∅16	∅9
DZ04	350kg	180	160	45	13	∅16	∅9
DZ05	500kg	175	150	62	13	∅16	∅9

EM Lock Installation Reference Drawing

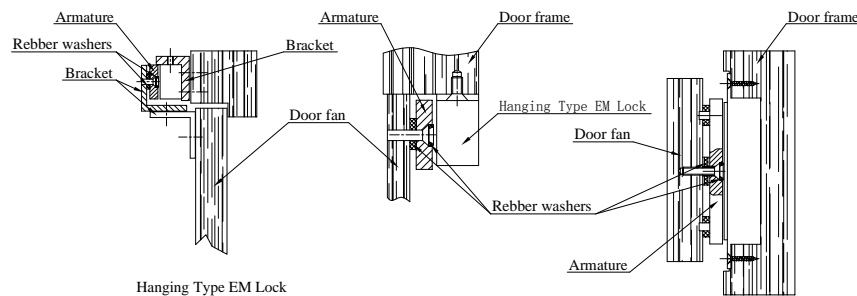
● Flush Type EM Lock Installation Drawing



● Hanging Type EM Lock Installation Drawing



● EM Lock and Armature Installation Drawing



Note:

- The warranty is 1 year
- This series lock is for indoor
- Pls install EM Lock and accessories as required by user manual, can not install by electric welding
- EM lock will generate magnetic field in 10mm range

Flush Type EM Lock