

4-Port Ethernet over VDSL2 Router

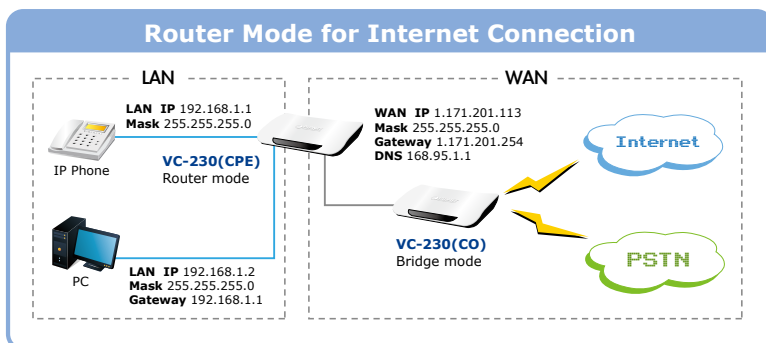


High Performance Ethernet over VDSL

PLANET VDSL2 Router, VC-230, is developed with two core networking technologies: Ethernet and VDSL2 (Very High Speed Digital Subscriber Line 2). Based on VDSL 2 technology, the VC-230 provides very high performance access to Internet, up to 100Mbps for both downstream and upstream data transmission. VDSL2 offers the absolutely fastest data transmission speed over existing copper telephone lines without the need for rewiring.

Delivering High-Demand Services Connectivity

The VC-230 complies with ITU-T G993.2 standard and provides two modes for applications -- Bridge and Router. With built-in 4-port 10/100 Ethernet switch, it provides data delivery and receipt in local network, which gives the best solution for small enterprise and residential LAN networking.



Multiple Functions for Broadband Communication

There are two selectable VDSL2 operating modes of the VC-230: CO and CPE, which can be adjusted by Web UI. Users can set up Point-to-Point application by connecting two VC-230s, in which one in CO mode and the other in CPE mode, to transmit data in high speed between two networks over existing copper telephone lines.

Internet Access Features

- Shared Internet Access: All users on the LAN can access the Internet through the VC-230 using only one single external IP Address. The local (invalid) IP Addresses are hidden from external sources. This process is called NAT (Network Address Translation).
- Built-in VDSL2 Modem: The VC-230 provides VDSL2 modem and supports all common VDSL2 connections.
- Multiple WAN Connection: Upon the Internet (WAN port) connection, the VC-230 supports Dynamic IP Address (IP Address is allocated upon connection), fixed IP Address, PPPoE, PPTP and L2TP.
- CO and CPE Support: The VC-230 provides the Peer-to-Peer connection. Users can select the CO and CPE mode manually.
- Bridge and Router Application: The VC-230 supports two application modes: bridging and routing modes. Currently, the default mode is routing mode. Note: routing mode and bridging mode cannot be used simultaneously.

Advanced Internet Functions

- Virtual Servers: This feature allows Internet users to access Internet servers on your LAN. The setup is quick and easy.
- Firewall: The VC-230 supports simple firewall with NAT technology.
- Universal Plug and Play (UPnP): UPnP allows automatic discovery and configuration of the Broadband Router. UPnP is supported by Windows XP, or later.
- Selectable VDSL2 Profiles: The VC-230 supports common VDSL2 profiles (30a, 17a, 12a, 12b, 8a, 8b, 8c, 8d) for users choice. Users can select different VDSL2 profiles based on their needs.
- User Friendly Interface: The VC-230 can be managed and

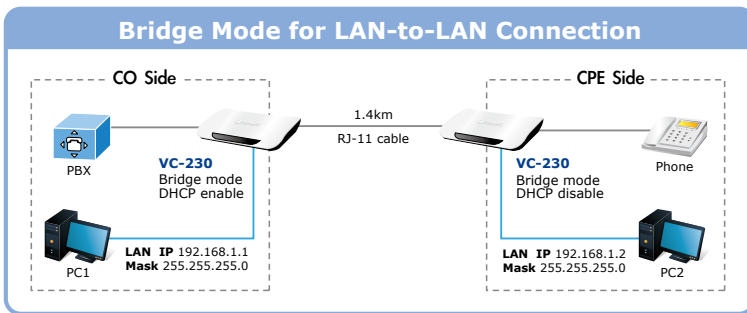
Providing Superior Function

The VC-230 provides user-friendly management interface to be managed easily through standard web browsers. For networking management features, the VC-230 not only provides basic router functions such as DHCP server, Virtual Server, DMZ, QoS, and UPnP, but also provides full firewall functions including Network Address Translation (NAT), IP/Port/MAC Filtering and Content Filtering. Furthermore, The VC-230 serves as an Internet firewall to protect your network from being accessed by unauthorized users.

Applications

Peer-to-Peer Network Connection

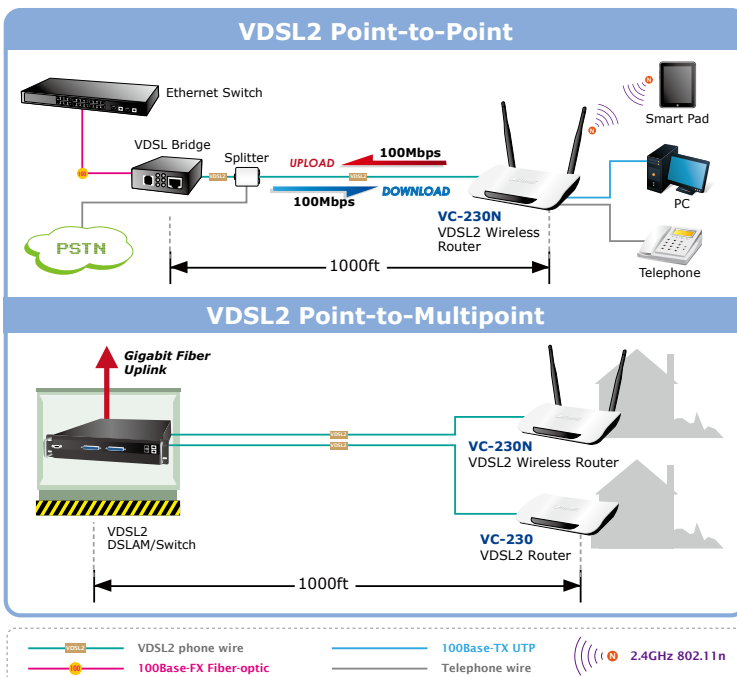
A pair of the VC-230 (or VC-230N) can act as a standalone pair for Ethernet distance extension over existing telephone wires. With just one pair of AWG-24 copper wire, you can easily connect two Ethernet networks together with the data rate of maximum 100/100Mbps. Telephone service can still be used while the modems are in operation.



Very High-Speed Internet Connection with Wired

The VC-230 is the perfect solution for a small group of PCs accessing very high-speed broadband Internet connection simultaneously. With VDSL 2 standard network deployment, it supports downstream and upstream rates both up to 100 Mbps.

The VC-230 also incorporates a 4-port 10/100Base-TX switching hub to enable to easily create or extend your LAN and prevent the attacks from the internet.



controlled through Web UI.

- DMZ Support: The VC-230 can translate public IP addresses into private IP address to allow unlimited 2-way communication with the servers or individual users on the Internet. It provides the most flexibility to run programs smoothly for programs might be restricted in NAT environment.
- RIP1/2 Routing: It supports RIPv1/2 routing protocol for routing capability.
- VPN Pass-through Support: PCs with VPN (Virtual Private Networking) software are transparently supported - no configuration is required.

LAN Features

- 4-Port Switch: The VC-230 incorporates a 4-port 10/100Base-TX switching hub, making it easy to create or extend your LAN.
- DHCP Server Support: Dynamic Host Configuration Protocol provides a dynamic IP address to PCs and other devices upon request. The VC-230 can act as a DHCP Server for devices on your local LAN.

Specification

Model	VC-230	
Product Description	4-Port Ethernet over VDSL2 Router	
Hardware Specifications		
Interface	LAN	4 x 10/100Base-TX, Auto-Negotiation, Auto MDI/MDI-X RJ45 port
	VDSL2 WAN	1 x RJ-11
	PHONE	1 x RJ-11, and built-in splitter for POTS connection
LED Indicators	PWR, DSL, LAN1-4	
Button	1 x RESET button	
Material	Plastic	
Dimensions (W x D x H)	186 x 143 x 35 mm	
Power	12V DC, 1A	
Router Features		
Internet Connection Type	Shares data and Internet access for users, supporting the following internet accesses: <ul style="list-style-type: none"> • PPPoE • Dynamic IP • Static IP • PPTP • L2TP 	
Max. Session	15000	
VDSL2 Functionality	CO / CPE mode selection Selectable fast and interleaved mode Selectable VDSL2 Profiles Bandwidth Limitation support	
Protocol / Feature	Router, Bridge and WISP mode WDS and WPS DMZ and Virtual Server 802.1D QoS DHCP Server / Client IGMP Proxy and DNS Proxy UPnP and DDNS	
Routing Protocol	Static Routing RIPv1/2	
VPN	VPN Pass-through	
Security	Built-in NAT Firewall MAC / IP/ Port Filtering Content Filtering SPI Firewall support	
System Management	Web-based (HTTP) configuration SNTP time synchronize System Log supports Remote Log Password protection for system management	
Standards Conformance		
Standard	VDSL2-DMT Compliant with VDSL2 ITU-T G.993.2 (8a, 8b, 8c, 8d, 12a, 12b, 17a, 30a) G.997 / G.998 Band Plan support Supports up to 100Mbps / 100Mbps for Upstream / Downstream Complaint with IEEE802.3 / 802.3u U0 Band Support (25KHz to 276KHz) Packet Transfer Mode Ethernet in the First Mile(PTM-EFM)	
Environment Specifications		
Temperature / Humidity	Operating: 0~50 degrees C, 5%~ 90% (non-condensing), Storage: -20~70 degrees C, 0~95% (non-condensing)	
Certification	FCC, CE	

Ordering Information

VC-230	VDSL2 Router (4 x RJ45, 1 x VDSL2 / RJ11, 1 x Phone)
--------	--

Related Products

VC-230N	802.11n Wireless VDSL2 Router (4 x RJ45, 1 x VDSL2 / RJ11, 1 x Phone)
VC-820M	8-Port VDSL2 + 2-Port Giga TP/SFP Combo Managed Switch
VC-2400MR	24-Port VDSL2 + 2-Port Giga TP/SFP Combo Managed Switch / AC Power
VC-2400MR48	24-Port VDSL2 + 2-Port Giga TP/SFP Combo Managed Switch / DC Power
VDL-2420MR	24-Port VDSL2 IP DSLAM / AC Power
VDL-2420MR48	24-Port VDSL2 IP DSLAM / DC Power
VC-231	Ethernet over VDSL2 Converter (1 x RJ45, 1 x VDSL2 / RJ11, 1 x 17a / 30a)
VC-234	Ethernet over VDSL2 Converter (4 x RJ45, 1 x VDSL2 / RJ11, 1 x 17a / 30a)

PLANET Technology Corporation

11F., No.96, Minquan Rd., Xindian Dist., New Taipei City
231, Taiwan (R.O.C.)

Tel: 886-2-2219-9518

Email: sales@planet.com.tw

Fax: 886-2-2219-9528

www.planet.com.tw



PLANET reserves the right to change specifications without prior notice. All brand names and trademarks are property of their respective owners. Copyright © 2014 PLANET Technology Corp. All rights reserved.

C-VC-230v2